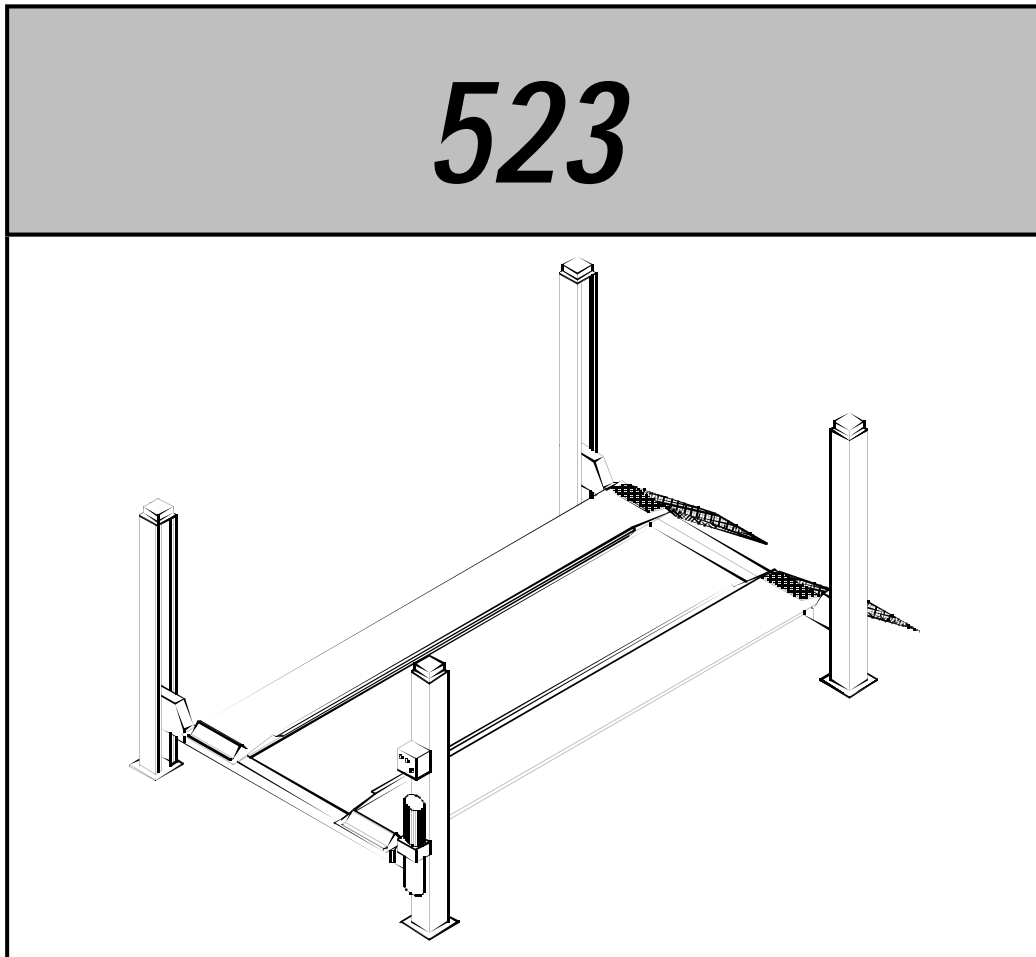


# OMA

CE

523

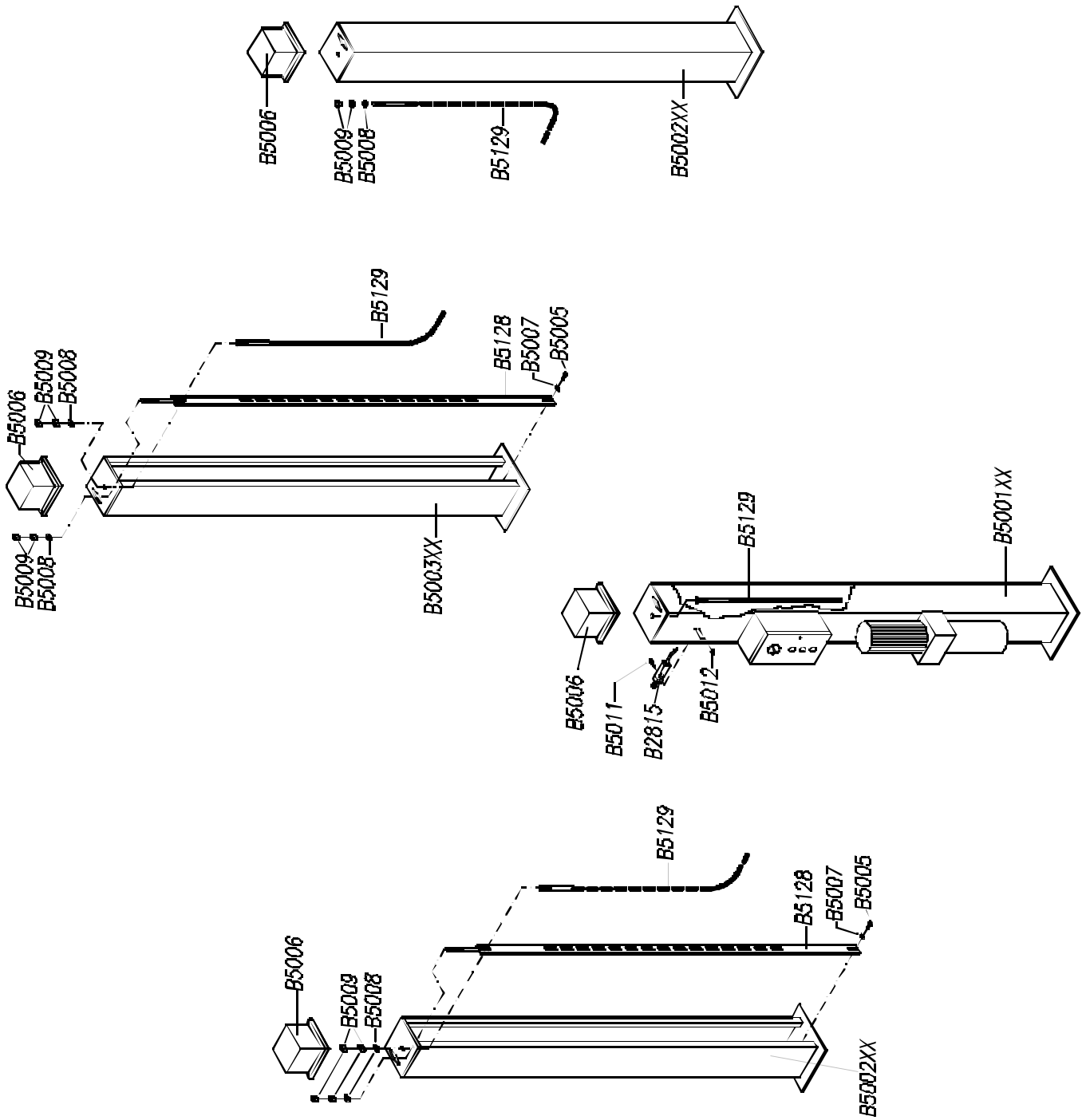


I

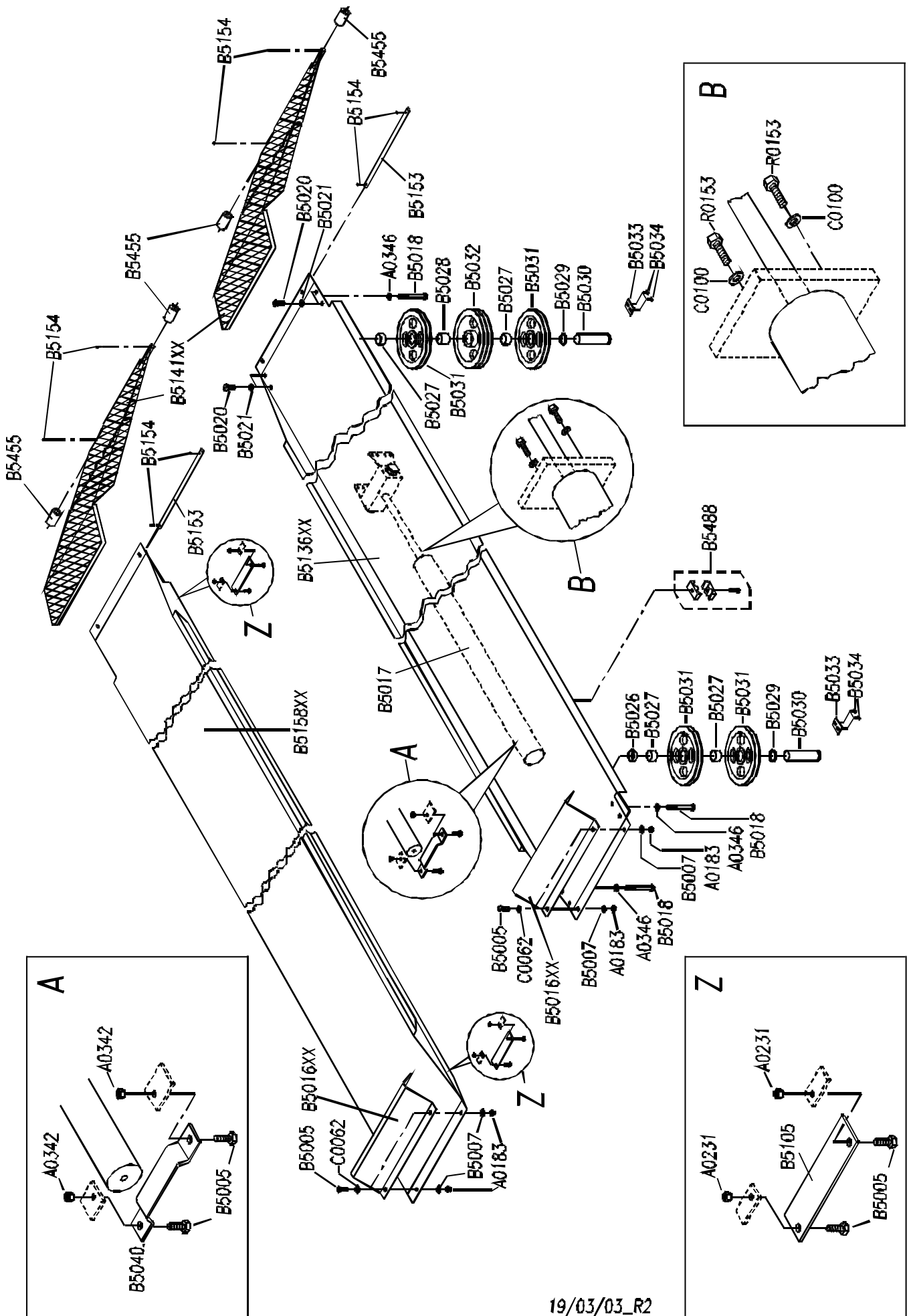
GB

PONTE  
SOLLEVATORE A 4  
COLONNE

4-POST LIFT

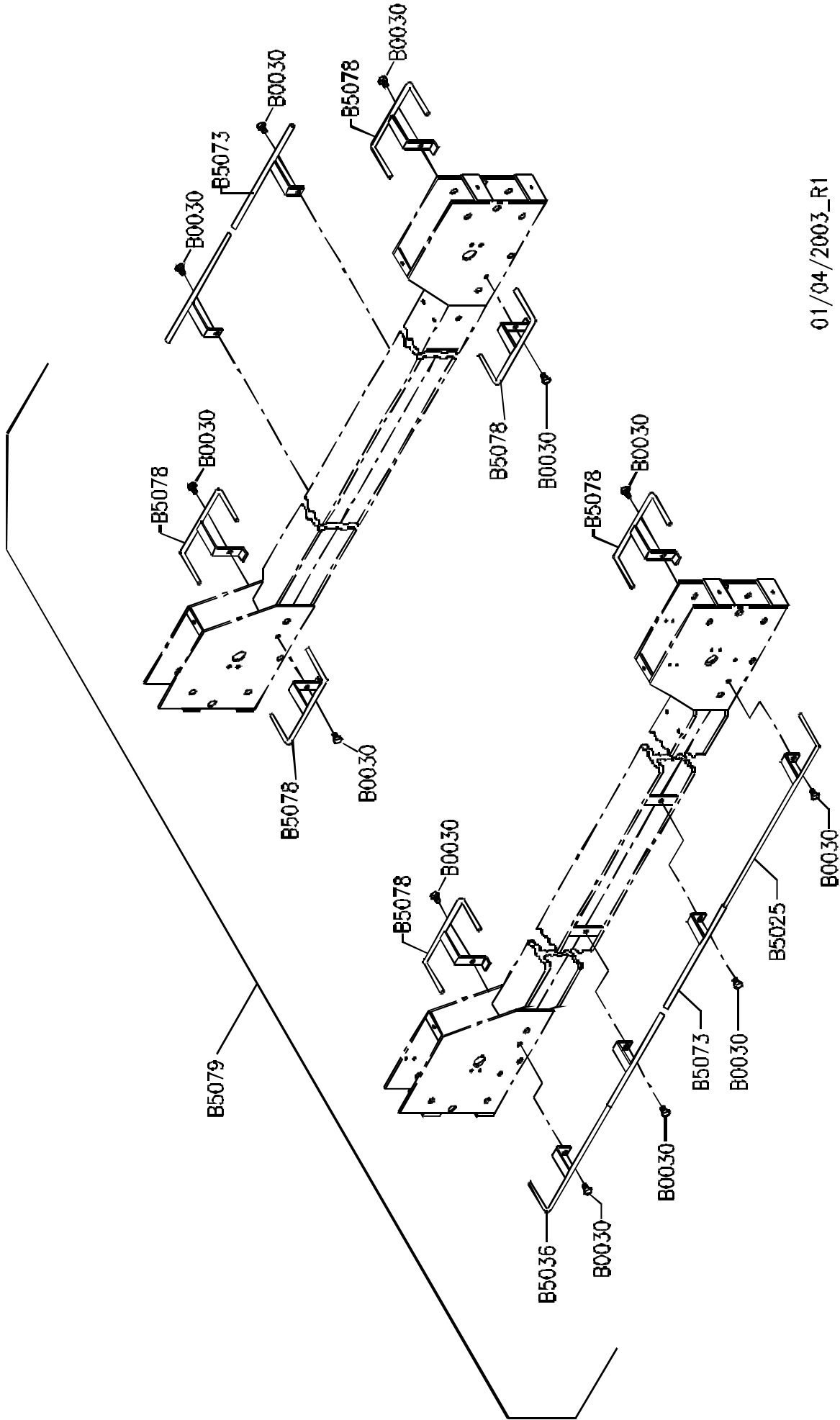




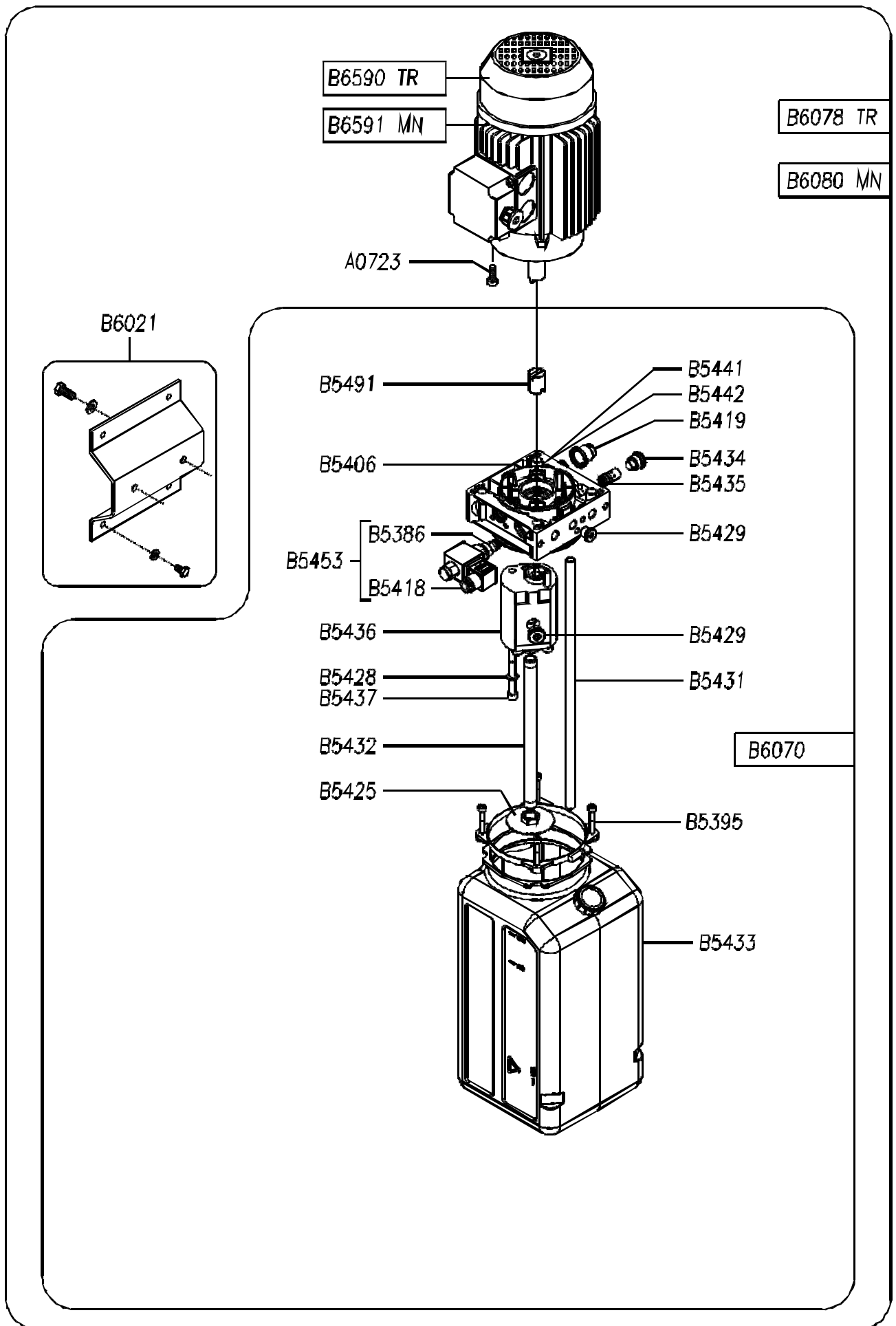


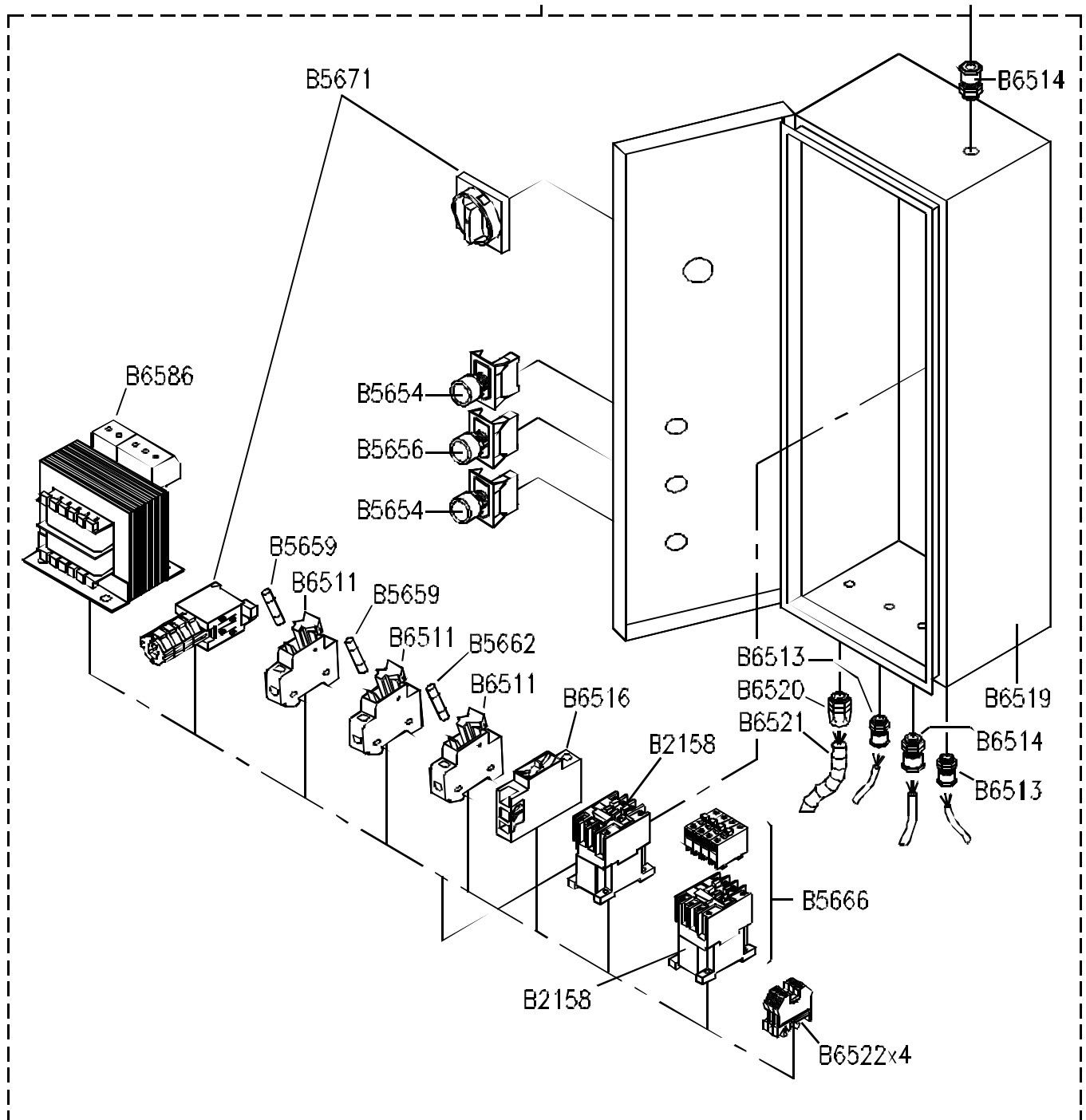
19/03/03\_R2





01/04/2003\_R1







Part Code	Sugg.	Descrizione	Description
A0183		DADO M10 UNI 5588	NUT M10 UNI 5588
A0184		VITE TE M6X16 ZINCA TA	SCREW TE M6X16 UNI 5739
A0185		SEE GER E18 UNI 7435	SNAP RING E18 UNI 7435
A0231		DADO ALTO M10 6S UNI 5587 ZB	NUT M10
A0342		DADOAUTOBLOCCANTEM10ZINCATO	GAL VANIZED SELF- LOCKING NUT M10 UNI 7473
A0344		ANELLOELASTICOINTERNOØ35	IN SIDE SPRING RING Ø35
A0346		RON DEL LA P 12 X 24 UNI 6592	WAS HER 12 X 24
A0400		SEE GER E20 UNI 7435	SNAP RING E20 UNI 7435
A0444		SEE GER E25 UNI 7435	SEE GER E25 UNI 7435
A0723		VITE TCEI M8X20 UNI 5931	SCREW TCEI M8X20 UNI 5931
A0900		VITE TSPEI M6 X 18 UNI 5933	COUN TER SUNK FLAT SOC KET SCREW M6 X 18 UNI 5933
B0030		VITE TE M8X16 UNI 5739	SCREW TE M8X16 UNI 5739
B2158	*	TELERUTTORE TELEMECANIQUE LC1K0901B7 24V 50/60Hz	CONTACTOR TELEMECANIQUE LC1K0901B7 24V 50/60Hz
B2815	*	FINECORSASALITATIPOPIZZATOFR654	ASCENT LI MIT SWITCH TYPE PIZZATO FR654
B2843		FINECORSASALITATIPOPIZZATOFR1454	SAFETY SWITCH TYPE PIZZATO FR1454
B5001XX		COLONNA 1:COMANDO	POST 1: CON TROL
B5002XX		COLONNA 2 - 4	POST 2 - 4
B5003XX		COLONNA 3	POST 3
B5005		VITE TE M10X25 UNI 5739	SCREW TE M10 X 25
B5006		CAPPELLOPLASTICA	PLASTICCOVER
B5007		RON DEL LA P 10 X 30 UNI 6593	WAS HER 10 X 30 UNI 6593
B5008		RON DEL LA P 21X37X3 UNI 6592	WAS HER Ø21X37X3 UNI 6592
B5009		DADO M20 UNI 5588	NUT M20 UNI 5588
B5011		VITE TCCE M5X35 UNI 5931	SCREW M5X35 UNI 5931
B5012		DADO CIE CO M5 UNI 5721	BLANK NUT M5 UNI 5721
B5016XX		FERMARUOTAA "OMEGA"	WHEEL STOP
B5017		CILINDROCOMPLETO	COMPLETECYLINDER
B5018		VITE TE M12 X 100 UNI 5737	H.H. SCREW M12 X 100 UNI 5737
B5020		VITE TE M12X25 UNI 5739	SCREW TE M12X25 UNI 5739
B5021		RON DEL LA DE Ø12 DIN 6798 A	WAS HER OD Ø12 DIN 6798 A
B5025		SALVAPIEDETRAVERSADX	FOOTPROTECTIONDX
B5026	*	DISTANZIALE	SPACER
B5027	*	BRON ZI NA Ø 40 X 44 X 20 MBI - CB85 - 4020	BUSHING Ø 40 X 44 X 20 MBI - CB85 - 4020
B5028	*	BRON ZI NA Ø 40 X 44 X 30 MBI - CB85 - 4030	BUSHING Ø 40 X 44 X 30 MBI - CB85 - 4030
B5029	*	DISTANZIALE	SPACER
B5030	*	PERNO	PIN
B5031	*	PU LEG GIA 1 GOLA Ø 230 X 25	1- RA CE PULLEY Ø 230 X 25
B5032	*	PU LEG GIA 2 GOLA Ø 230 X 31	2- RA CE PULLEY Ø 230 X 31
B5033		LAMAFERMAPERNO	PIN STOPPING PLA TE
B5034		VITE TSPEI M8X12 UNI 5933	SCREW TSPEI M8X12 UNI 5933
B5036		SALVAPIEDETRAVERSASX	FOOTPROTECTIONSX
B5040		APPOGGIOCILINDRO	CYLINDER SUPPORT
B5043		CILINDRO	CYLINDER
B5044		DADO M M22 X 1,5 UNI 5588	NUT M22 X 1.5 UNI 5588
B5045	*	KITGUARNIZIONICILINDRO	CYLINDER GASKET KIT
B5046		STANTUFFO	PISTON
B5047		RONDELLADITE NUTA CONGUARNIZIONE 1/4"	GAS KET WITH 1/4" SEAL
B5048		STELO	ROD
B5049		PROLUNGAM-F 1/4"	EXTENSION
B5050		TESTATA	CYLINDER HEAD
B5051		GIOGO	BEAM
B5053	*	VITE FORA TA 1/4	SCREW 1/4
B5055		MORSETTO	CLAMP

B5057	*	PULEGGIA 1 GOLA Ø230 X 40 + BRONZINA MBI C85-4040	1- RACE PULLEY Ø230 X 40 + BUSHING MBI C85-4040
B5059	*	DISTANZIALE Ø40 X 9	SPACER Ø40 X 9
B5060	*	DISTANZIALE Ø40 X 27	SPACER Ø40 X 27
B5061		AZIONATORE FINE CORSA	LIMIT SWITCH ACTUATOR
B5062	*	KIT VALVOLA BLOCCO CILINDRO	CYLINDER SAFETY VALVE ASSEMBLY
B5064		CARTER DX	CARTER DX
B5067		ANELLO SEE GER E16 UNI 7435	RETAINING RING E16 UNI 7435
B5068		PERNO ANTISCARRUCOLAMENTO Ø16 X 101	SAFETY PIN Ø16 X 101
B5069		PERNO GUIDA ASTE DI SICUREZZA	SAFETY ROD PIN
B5070		PERNO Ø20 X 101	PIN Ø20 X 101
B5071		PERNO PULEGGIE TRAVVERSE Ø40 X 104	CROSSPIECE PULLEY PIN Ø40 X 104
B5073		SALVAPIEDE TRAVERSAL.O.	OPERATOR SIDE CROSSPIECE FOOT PROTECTION
B5074		DADO M5 UNI 5588	NUT M5 UNI 5588
B5075		PATTINOLA TERALE Ø35 X 10	SIDE SLIDING PAD Ø35 X 10
B5076	*	PATTINO POSTERIORE Ø35 X 17	REAR SHOE Ø35 X 17
B5078		SALVAPIEDE LATERALE TRAVVERSE	CROSSPIECE SIDE FOOT PROTECTION
B5079		SET SALVAPIEDI TRAVVERSE	CROSSPIECES FOOT PROTECTION KIT
B5080		TIRANTE TASTA FUNE	ROPE -FEELER TIE ROD
B5085		DA DOBLK BASOM 66S. UNI 7474	SELF-LOCKING NUT M6
B5087		MOLLA INFERIORE RICHIAMO MARTELLETTI	WEDGE RETURN BOTTOM SPRING
B5088		DADO BLOK M8 UNI 7474	NUT M8 UNI 7474
B5091		CARTER TRAVVERSE	CROSSPIECE CRANKCASE
B5103XX		CARTER PROTEZIONE MAGNETI	MAGNET PROTECTION CRANKCASE
B5105		PIATTO ARRESTO PEDANA	PLATFORM BLOCKING PLATE
B5106		TIRANTE MAGNETE T.L.C.	CONTROL SIDE CROSSPIECE MAGNET TIE ROD
B5107		PERNO AZIONAMENTO	DRIVE PIN
B5108		MORSETTO PER CAVO Ø2,5 MM.	CABLE CLAMP Ø2.5 MM
B5109	*	ELETTROMAGNETE "WARNER" TIPO TT10 24VAC	ELECTROMAGNET "WARNER" TYPE TT10 24VAC
B5111		TIRANTE CON CAVO Ø2,5 MM. L = 2650 MM.	TIE ROD WITH CABLE Ø2.5 MM L = 2650 MM
B5112		SCATOLA DIDERIVAZIONE	CONTROL SIDE CROSSPIECE CONNECTOR BLOCK
B5113		MORSETTIERAMAMMUTH 4POLI T.L.C.	CONTROL SIDE CROSSPIECE 4-POLE TERMINAL BOARD
B5114		TIRANTE CON CAVO Ø2,5 MM. L = 450 MM.	TIE ROD WITH CABLE Ø2.5 MM L = 450 MM
B5115		MARTELLETTO DI SERVIZIO DX	RIGHT AUXILIARY WEDGE
B5116		TIRANTE PIEGATO	BENT TIE ROD
B5117		SENSORE TASTA FUNE DX	RIGHT ROPE -FEELER SENSOR
B5118		MARTELLETTO DI SERVIZIO SX	LEFT AUXILIARY WEDGE
B5119		SENSORE TASTA FUNE SX	LEFT ROPE -FEELER SENSOR
B5122		MORSETTIERAMAMMUTH 2POLI T.L.C.	CONTROL SIDE CROSSPIECE 2-POLE TERMINAL BOARD
B5123		TIRANTE MAGNETE T.L.C.	CONTROL SIDE CROSSPIECE MAGNET TIE ROD
B5128		ASTA DI SICUREZZA (SGANCIO ELETTRICO)	SAFETY ROD (ELECTRICAL UNLOCKING)
B5129		FUNEW437-439	ROPE W437-439
B5131XX		TRAVERSAL.C.	CONTROL SIDE CROSSPIECE
B5132XX		TRAVERSAL.O. W437	OPERATOR SIDE CROSSPIECE
B5136XX		PEDANA FISSA	FIXED PLATFORM
B5141XX		RAMPADISALITA	LIFT RAMP
B5157		QUADRO ELETTRICO COMPLETO TRIFASE 400V	THREE-PHASE COMPLETE CONTROL PANEL 400V
B5158XX		PEDANA MOBILE	MOVABLE PLATFORM
B5287	*	TUBO FLESSIBILE MANDATA OLIO	OIL DELIVERY HOSE
B5386		VALVOLA CE1-NC-EM	VALVE

B5395		KIT FISSAGGIO SERBATOI IN PVC	TANK FASTENING KIT
B5414		MOLLA SUPERIORE RICHIAMO MARTELLETTI	WEDGE RETURN TOP SPRING
B5418		BOBINA 24V 50/60HZ+CONNETTORE	COIL
B5419		TAPPO X PIOMBATURA VM15	PLUG
B5425		FILTRO ASPIRAZIONE 3/8"	AIR FILTER
B5428		RONDELLA GROWER 8,4 UNI1751 ZB	WASHER
B5429		TAPPO DIN 908 1/4+RONDELL.RAME	PLUG
B5431		TUBO DI SCARICO M12X1 L=300	DRAIN PIPE
B5432		TUBO ASPIRAZ.VERTIC.L=240	SUCTION PIPE
B5433		SERBAT.L9 PVC NERO CENTR.K3	TANK
B5434		TAPPO TC4 X VALV.3/4"-16UNF	PLUG
B5435		VALVOLA STF14P 9L/MIN	VALVE
B5436		POMPA 18 10A5X348N 5CC/REV	PUMP
B5437		VITE TCCE M8X100 UNI 5931 ZB	SCREW
B5441		VALVOLA DI RITEGNO 3/8" KE	CHECK VALVE
B5442		VALVOLA DI MASSIMA15 80-250BAR	MAX. PRESSURE VALVE15 80-250BAR
B5455		RULLO RAMPA	RAMP ROLLER
B5488		CORPO COLLARE DOPPIO 1/4"	BODY DOUBLE COLLAR 1/4"
B5491		GIUNTO POMPA K3	CONNECTING PUMP K3
B5654	*	PULSANTE NERO + 1 ELEM. CONT. N.O.	BLACK PUSH-BUTTON + 1 N.O. CONTACT
B5656	*	PULSANTE GRIGIO + 1 ELEM. CONT. N.O.	GREY PUSH-BUTTON + 1 N.O. CONTACT
B5659	*	FUSIBILE RITARDATO 10X38 2A aM	FUSE 10X38 2A aM
B5662	*	FUSIBILE RAPIDO 10X38 4A gG	FUSE 10X38 4A gG
B5666	*	TELERUTTORE TELEMECANIQUE LC1D12+LA1DN11	CONTACTOR TELEMECANIQUE LC1D12+LA1DN11
B5671		INTERRUTTORE GENERALE	MAIN SWITCH
B6021		KITSTAFFA SUPPORTO	SUPPORT BRACKER KIT
B6070		CENTRAL.K3 4 COLONNE	GEARCASE
B6078		CENTRAL.K3/T COMPL.2,2KW 4COLON.	GEARCASE
B6080		CENTRAL.K3/M COMPL.2,2KW 4COL	GEARCASE
B6502		AZIONATORE INTERRUTT.SPRECHERLFS-N-72*	ACTUATOR FOR SPRECHER SWITCHLFS-N-72*
B6511		PORTAFUSIBILE 10X38WIMEXPCH1	FUSE CARRIER 10X38 WIMEXPCH10X38
B6513		PASSACAVOGEWISSPG9	CABLE CLAMP GEWISS PG9
B6514		PASSACAVOGEWISSPG11	CABLE CLAMP GEWISS PG11
B6516	*	INTERRUTTORE MAGNETICO 20A TYPE C	MAGNET SWITCH 20A TYPE C
B6519		CASSETTA	BOX
B6520		PASSAGUAINAGEWISSØ16MM	SHEATH HOLDER GEWISS Ø16MM
B6521		GUAINA Ø16MM DIFLEX	SHEATH Ø16MM DI FLEX
B6522		MORSETTO SPRECHER VU4-4	TERMINAL SPRECHER VU4-4
B6586	*	TRASFORMATORE 230-400/24V 300VA 50/60Hz	TRANSFORMER 230-400/24V 300VA 50/60Hz
B6590		MOTORE TRIFASE 230/400V 50HZ 2,2KW-K3	MOTOR 3PHASE 230/400V 50HZ 2,2KW-K3
B6591		MOTORE B14 MN 230V 50HZ 2,2KW	MOTOR B14 SINGLE PHASE 230V 50HZ 2,2KW-K3
C0043		VITE TE M6X10 UNI 5739	SCREW TE M6X10 UNI 5739
C0051		TUBO RIL SAN 6X4 NERO L=500	RIL SAN HOSE D.6X4 L=580
C0061		VITE TE M8X10 UNI 5739	SCREW TE M8X10 UNI 5739
C0062		RONDELLA Ø10,5X21 UNI 6592	WASHER Ø10,5X21
C0099		VITE TE 6X20 8.8 UNI 5739	SCREW M6X20 - 8.8
C0100		RONDELLA Ø8,4X17 UNI 6592	WASHER Ø8,4X17 UNI 6592
C0139		RACCORDO "L" 1/4" M X TUBO Ø 6	L-SHAPED COUPLING 1/4" M FOR PIPE Ø 6
C0617		RONDELLA Ø6,4X12,5 UNI 6592	WASHER Ø6,4X12,5 UNI 6592
R0153		VITE TE M8X25 UNI 5739	HH SCREW M8X25 UNI 5739
Z_ZCONS		*=RICAMBI CONSIGLIATI	*=RECOMMENDED SPARE PARTS